

AGRU Pipe support Pipe clip

Advantages & product range

Properties of used material

- High temperature resistance
- UV-resistance
- Very good mechanical properties
- Good chemical resistance

Advantages of AGRU pipe support

- Easy and robust construction
- Simple application with snap fit
- Different possibilities for fixing

Advantages of AGRU pipe clip

- Easy and robust construction
- Using additionally clamp enables hanging installation
- Multifunctional mounting possibilities
- Easy mounting and demounting
- The inner clamp diameter is constructed for pipe sliding in the clip, even by high temperature and pressure



Supply Range:

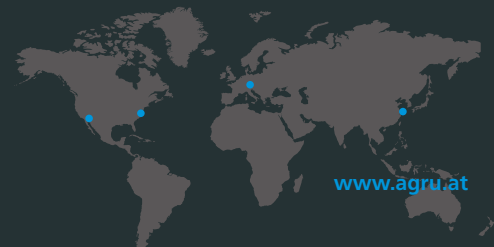


Pipe Support

Code-Nr.	348
OD	16-50 mm
PP-FRP black	

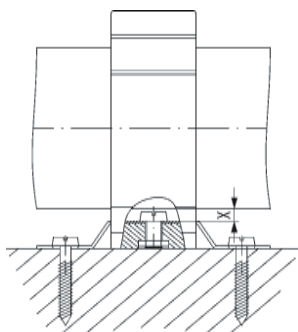
Pipe Clip

Code-Nr.	049
OD	63-225 mm
PP-FRP black	

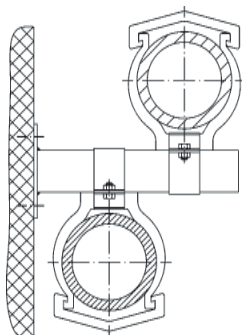


MOUNTING EXAMPLES

1. MOUNTING WITH STEEL CLAMP

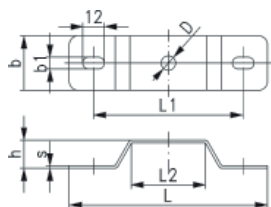


With screws
or with pop rivet

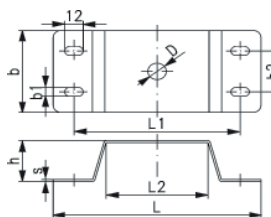


With opposite steel clamp on a steel profile
(vertical and hanging construction)

STEEL CLAMP MEASUREMENTS FOR PIPE SUPPORT dimensions (63-225)



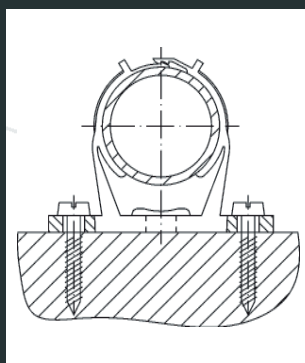
DIM 63-160



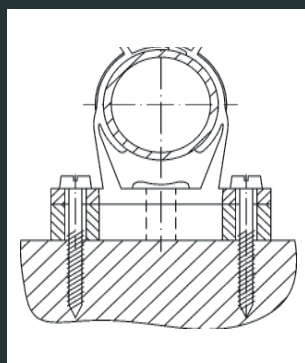
DIM 180-225

DIM	L	L1	L2	h	s	b	b1	b2	D	X
(mm)	(mm)	(mm)	(mm)	(mm)	(mm)	(mm)	(mm)	(mm)	(mm)	(mm)
63	100	74	31	13,5	1,5	30	6,5	-	8	7
75	110	82	41	16,5	1,5	30	6,5	-	8	7
90	110	82	41	16,5	1,5	30	6,5	-	8	5,5
110	110	82	41	16,5	1,5	30	6,5	-	8	8,5
125	138	110	61	22	2	40	8	-	12	9
140	138	110	61	22	2	40	8	-	12	16
160	138	110	61	22	2	40	8	-	12	14
180	135	110	61	30	2	60	8,5	30	12	16
200	135	110	61	30	2	60	8,5	30	12	18
225	135	110	61	30	2	60	8,5	30	12	15,5

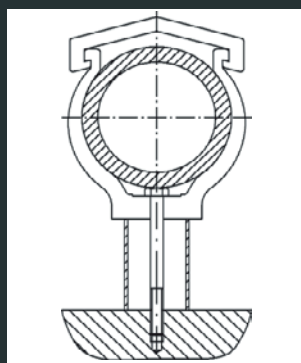
2. DIRECT MOUNTING



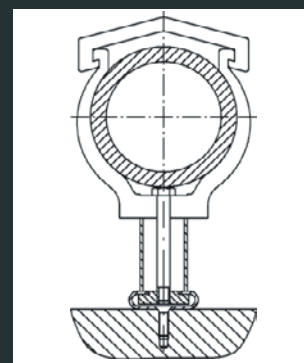
With screws



With screws
and distance holder



With distance holder



With distance holder
and steel profile