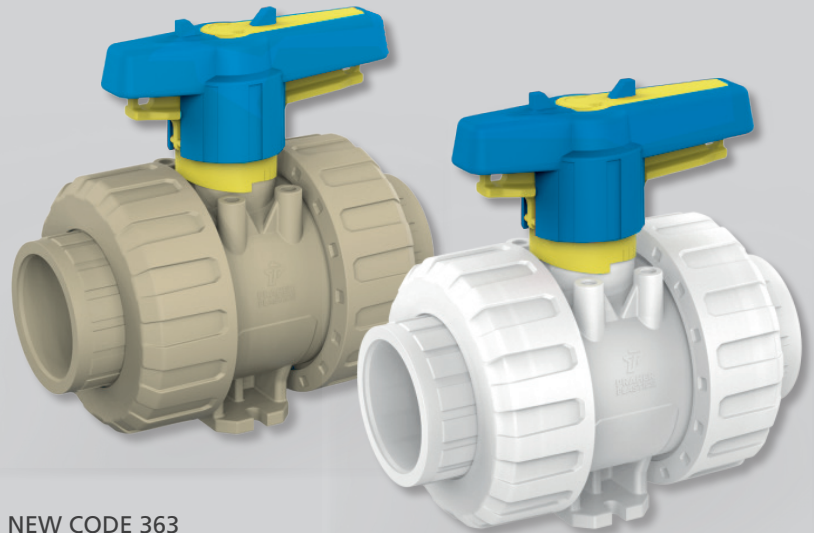


NEW Ball Valve M1

in PP and PVDF
(OD20 mm - OD110 mm)

Product features

- Silicone free
- Buttress thread for perfect fit of the union nut
- Easy switch between different configurations due to special features and fitting devices
- Limit switch box for position feedback on the new ball valve M1
- Integrated bracket for fix point mounting
- Safety locking handle
- Double axial gasket
- Double sided blocked ball
- Adjustable ball seating joint
- Radial installation or removal
- Maintenance free
- Possible options:
 - ▶ Manual
 - ▶ Manual + position feedback
 - ▶ Electric actuator
 - ▶ Pneumatic actuator



NEW CODE 363

Please note: The old ball valve and the M1 ball valve are not combinable. This is because the M1 (buttress thread) has a different thread than the S4 (acme thread).

Advantage of the buttress thread: It prevents loosening of the nut caused by vibration.



PP / PP-Pure

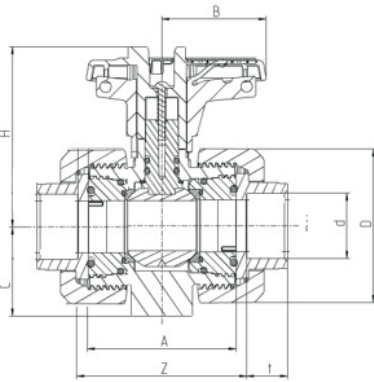
Dimension	OD20 mm - OD110 mm
Pressure rating	PN10

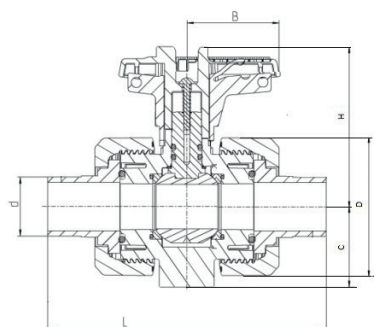


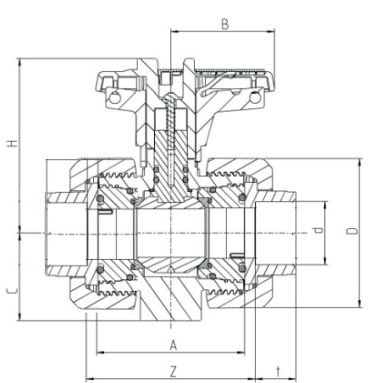
PVDF / PVDF-UHP

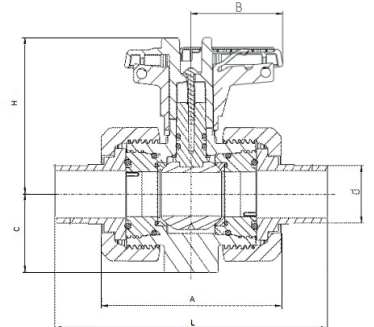
Dimension	OD20 mm - OD110 mm
Pressure rating	PN16

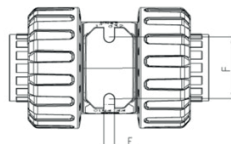
Please note: Code number will change from 335 to 363!

PP Socket-welding		OD	20	25	32	40	50	63	75	90	110
363.12 EPDM 363.13 FPM		A	61,5	69	73	83	94	109	131,5	156,5	156,5
	B	40	51,5	51,5	64	73	85	110	132	132	
	D	58	68,5	75,5	92	108	127,5	160	196,5	196,5	
	H	74,5	83	85,5	104,5	113	121,5	151,5	167	167	
	t	16	17,5	19,5	22	25,5	29	34,5	38,5	42	
	Z	66,5	78	84	97	114	136,5	162	206,5	207,5	
	PN	10	10	10	10	10	10	10	10	10	
	C	33	40	43,5	51	56,5	64,5	85	100	100	

PP / PP-Pure Butt+IR-welding		OD	20	25	32	40	50	63	75	90	110
363.14 EPDM 363.15 FPM		A	61,5	69	73	83	94	109	131,5	156,5	156,5
	B	40	51,5	51,5	64	73	85	110	132	132	
	D	58	68,5	75,5	92	108	127,5	160	196,5	196,5	
	H	74,5	83	85,5	104,5	113	121,5	151,5	167	167	
	L	124	143	151	171	191	221	275	292	316,5	
	PN	10	10	10	10	10	10	10	10	10	
	C	33	40	43,5	51	56,5	64,5	85	100	100	

PVDF Socket-welding		OD	20	25	32	40	50	63	75	90	110
363.13 FPM		A	61,5	69	73	83	94	108,5	131,5	156,5	156,5
	B	40	51,5	51,5	64	73	85	110	132	132	
	D	56,5	67	73,5	90	105,5	124,5	157,5	192,5	192,5	
	H	74,5	83	85,5	104,5	113	121,5	151,5	167	167	
	t	16	17	19,5	22	25	29	35	38,5	44	
	Z	67	78	84	97	113	136	158,5	205	163	
	PN	16	16	16	16	16	16	16	16	16	
	C	33	40	43,5	51	56,5	64,5	85	100	100	

PVDF / PVDF-UHP Butt+IR-welding		OD	20	25	32	40	50	63	75	90	110
363.15 FPM		A	61,5	69	73	83	94	108,5	131,5	156,5	156,5
	B	40	51,5	51,5	64	73	85	110	132	132	
	D	56,5	67	73,5	90	105,5	124,5	157,5	192,5	192,5	
	H	74,5	83	85,5	104,5	113	121,5	151,5	167	167	
	L	124	143	152	171	190	221	278	290,5	318,5	
	PN	16	16	16	16	16	16	16	16	16	
	C	33	40	43,5	51	56,5	64,5	85	100	100	

Bracket: (PP / PP-Pure / PVDF / PVDF-UHP)		OD	20	25	32	40	50	63	75	90	110
	E	5,4	5,4	6,4	6,4	6,4	6,4	8,3	10,3	10,3	
	F	34	36	38	40	45	50	65	80	80	